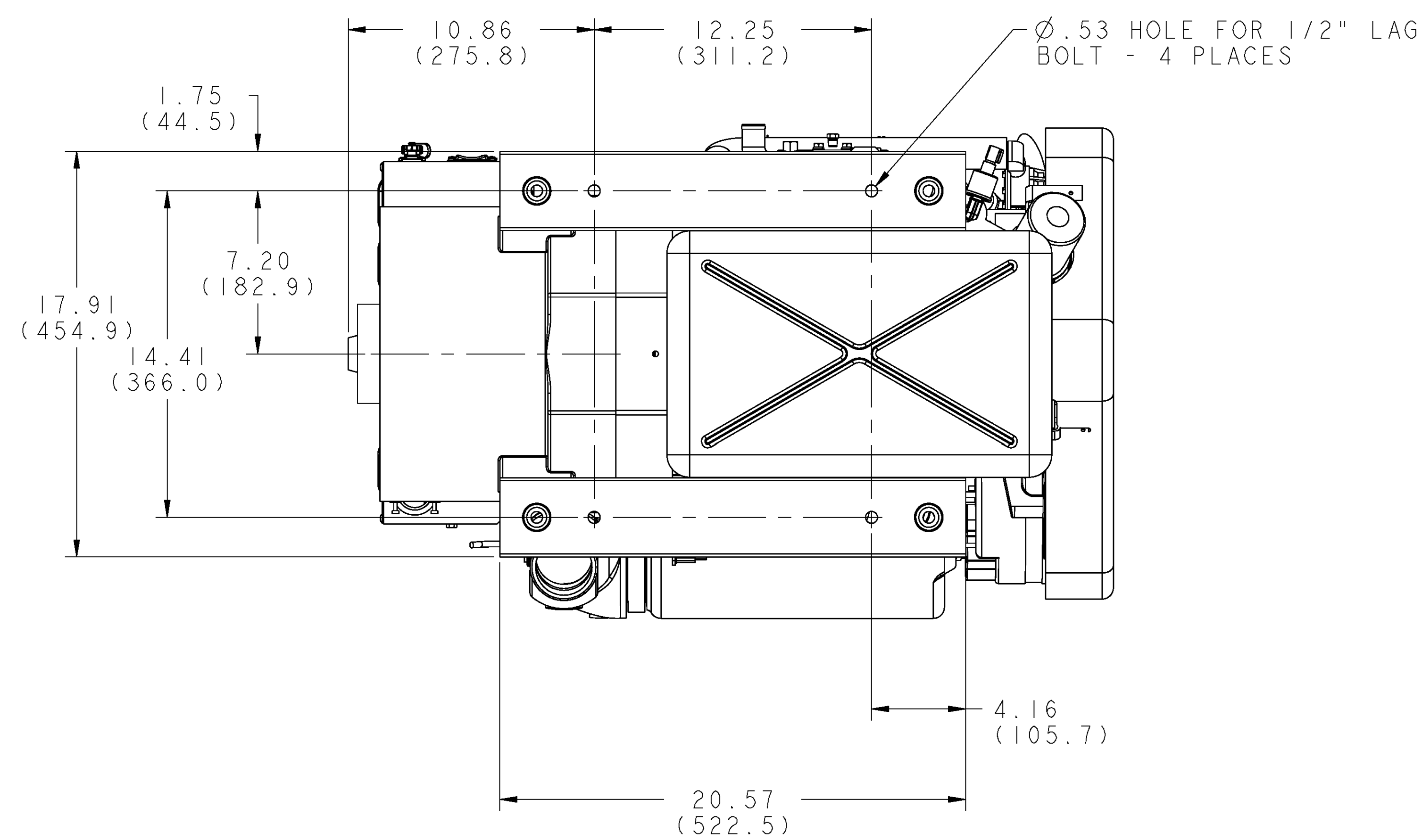
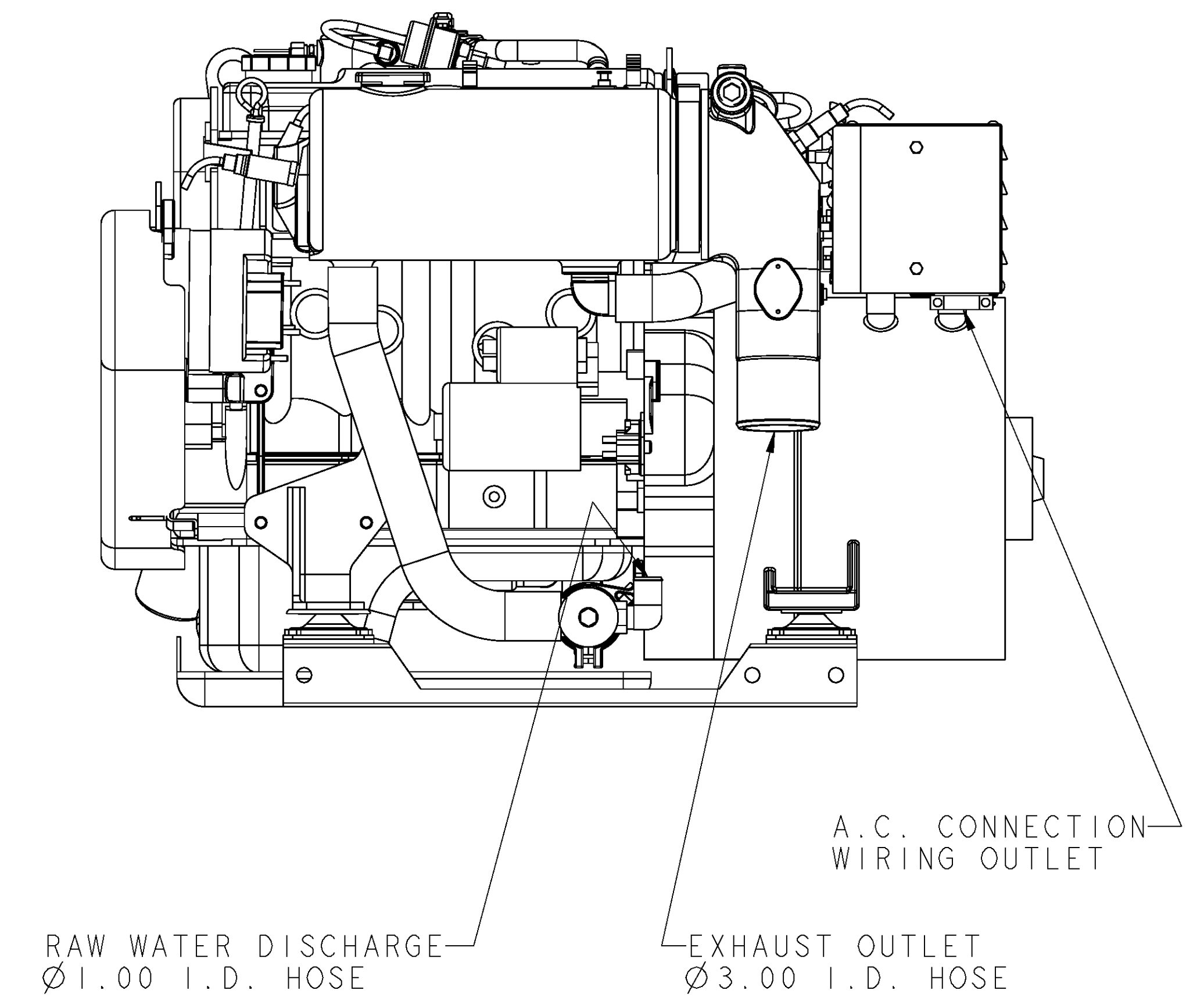
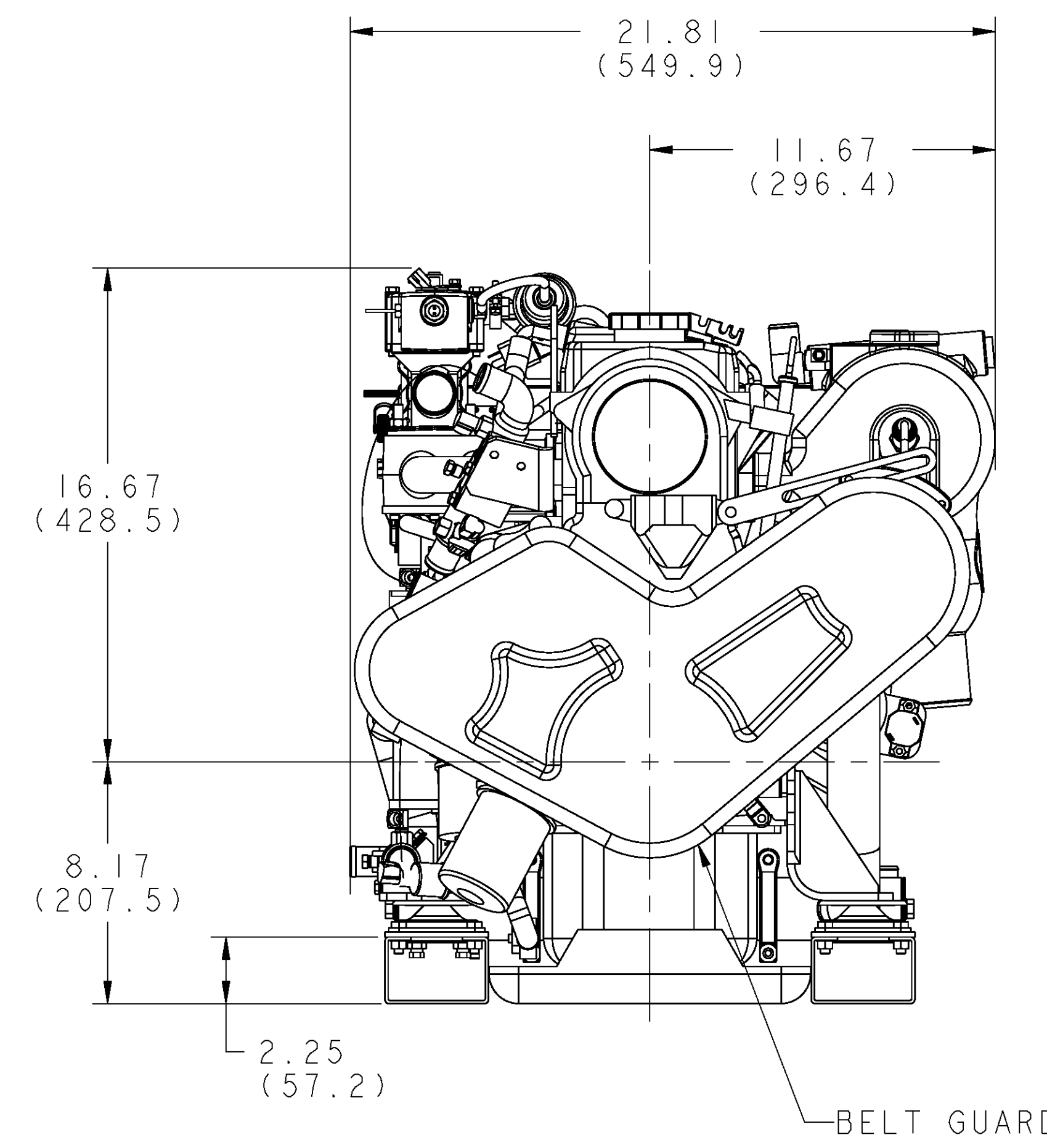
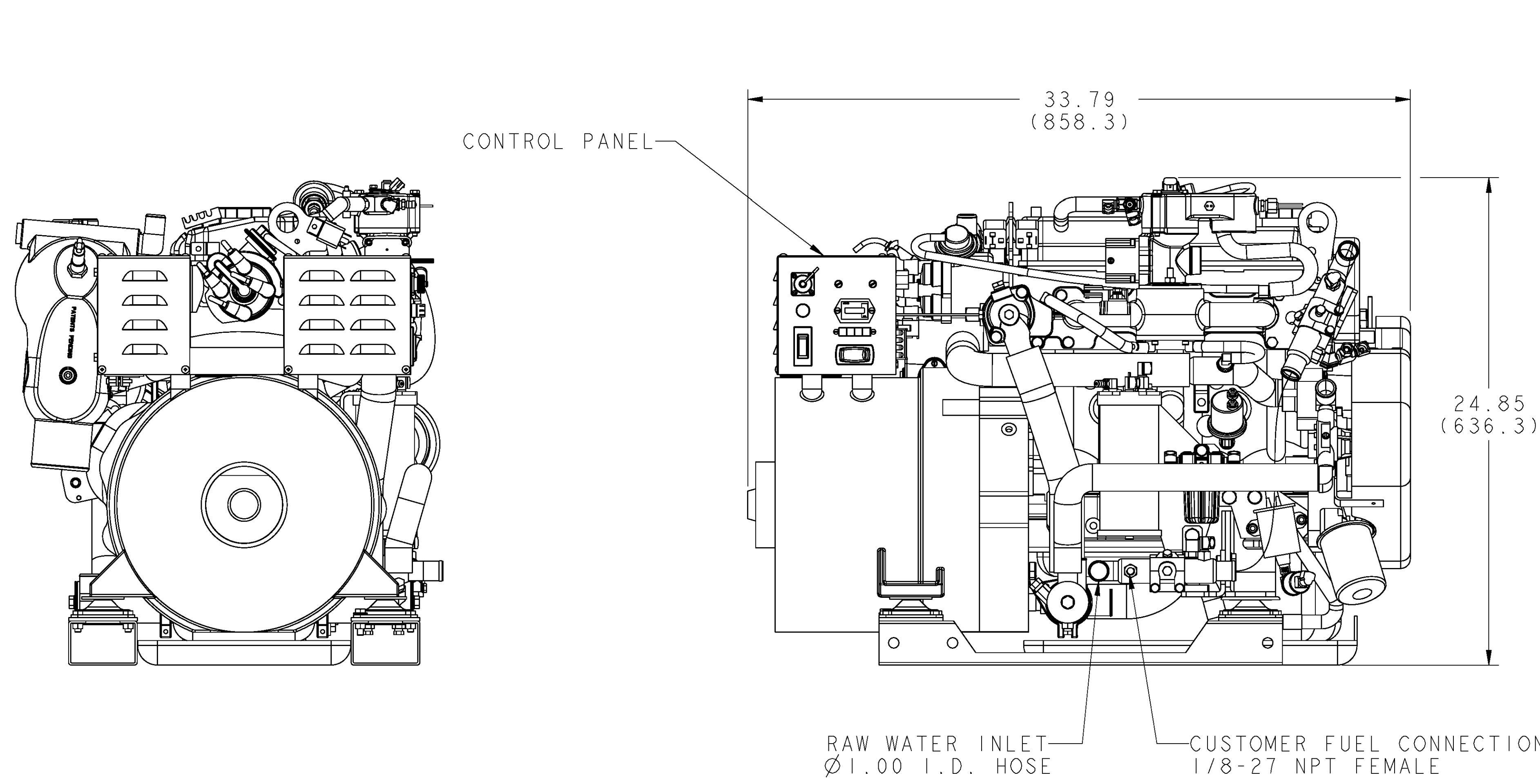
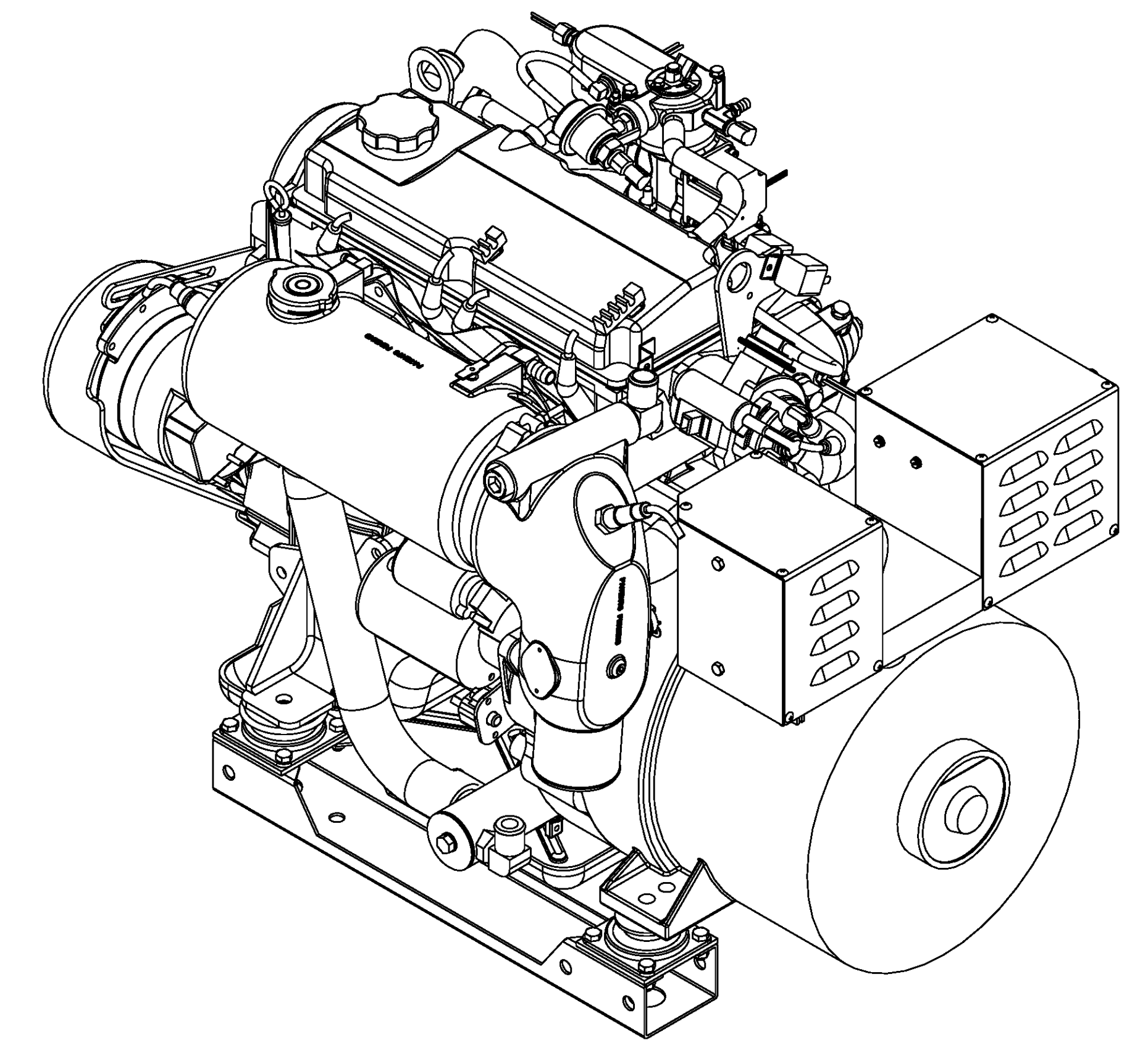
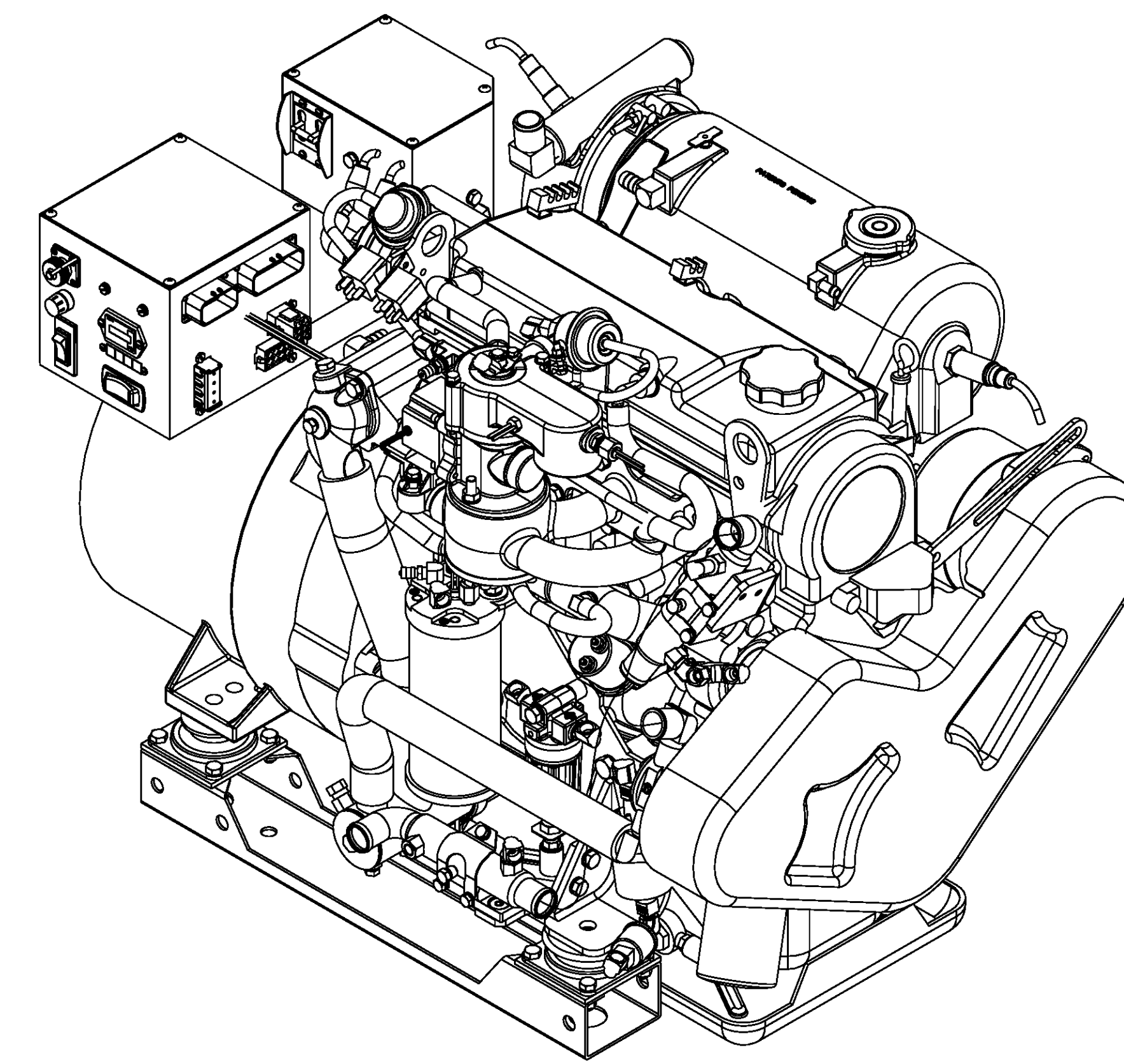
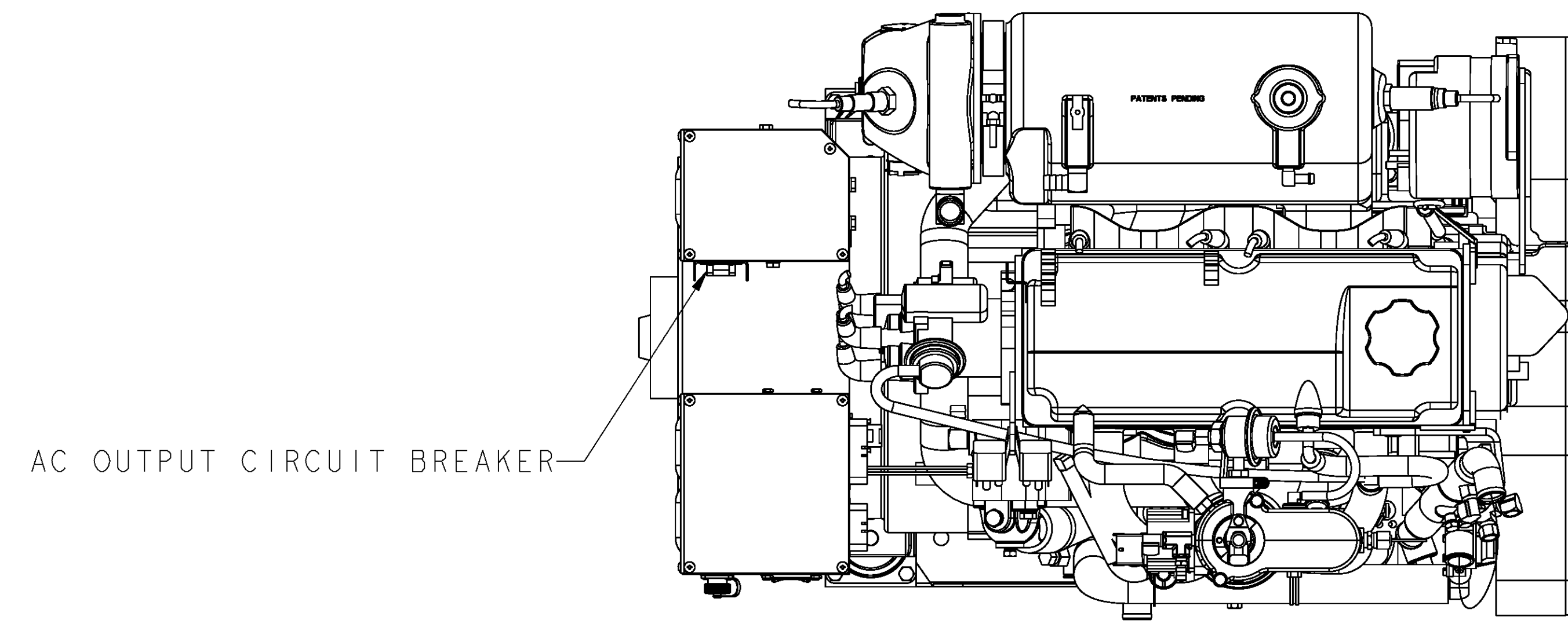


ECO NO.	DATE	REV.	REVISION RECORD	AUTH.	DR. BY
-	7-28 04	A	REVISED INTAKE AND THROTTLE BODY ASSEMBLY		WRM
6092	10-3 05	B	UPDATE INSTALLATION DRAWING WITH NEW RETURNLESS FUEL SYSTEM.		GA



DIMENSIONS IN BRACKETS ARE IN MILLIMETERS

TOLERANCES (UNLESS OTHERWISE NOTED)		WESTERBEKE CORPORATION TAUNTON, MA. 02780	
INCHES	MILLIMETERS	TITLE	
.XX ± .02	X ± 1.0	INSTALLATION DRAWING	
.XX ± .005	X ± .13	10.0 KW. SBEG	
CAST			
FINISH			
DIMENSIONS		APPROVED BY	DATE
INCHES	MILLIMETERS	DATE	SCALE 0.250
(WHEN APPLICABLE)	(WHEN APPLICABLE)	SIZE	DRAWING NUMBER
		SHT. 1 OF 1	E 49270
			REV. B